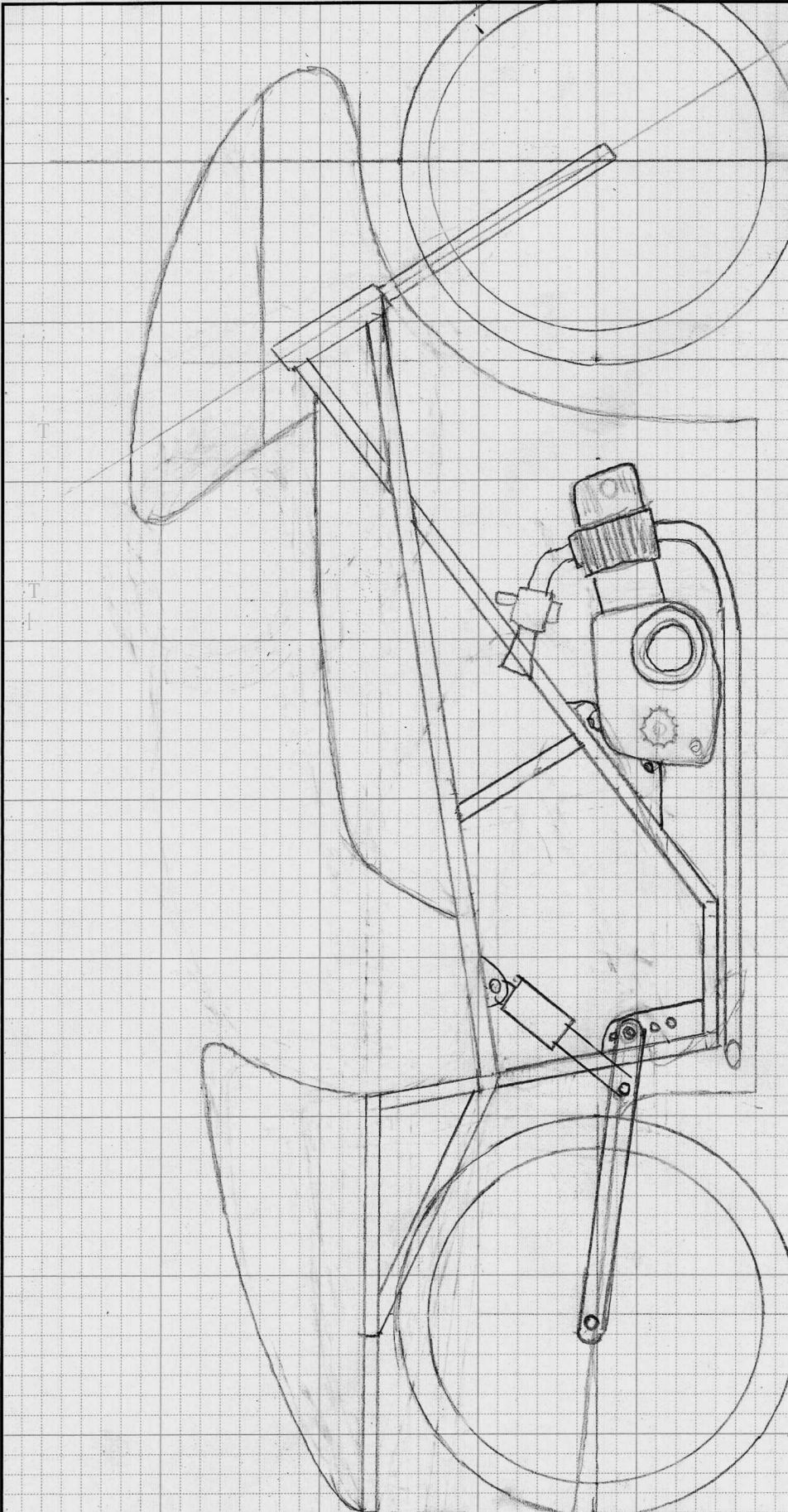


WORK ORDER #.



8
16
12
28
10
48
65
14
72



7210 Highway 32
Orland, CA 95963

530.865.4277
FAX 530.865.5990
800.709.3000

PROJECT

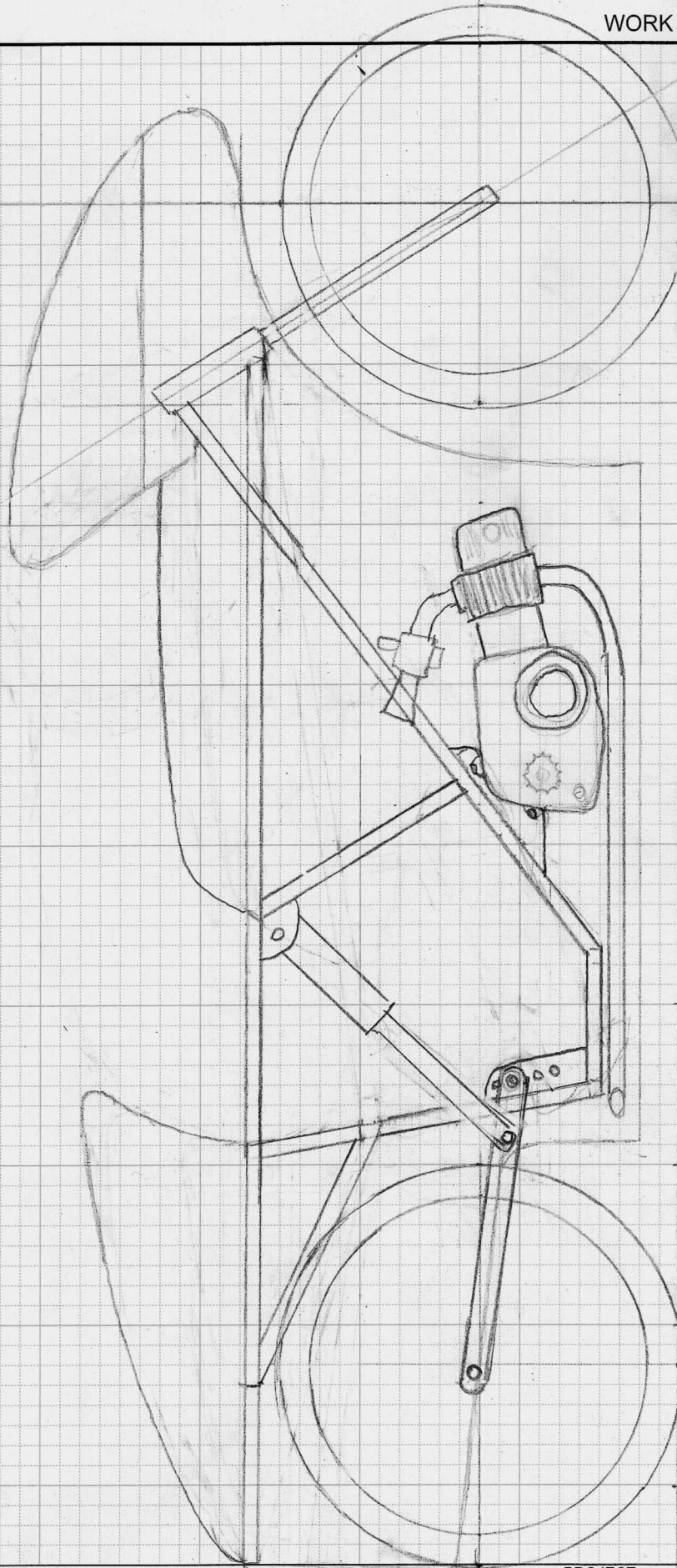
DRAWN BY

SHEET

DATE

OF
SCALE

WORK ORDER #.



JENSEN
PRECAST

7210 Highway 32
Orland, CA 95963

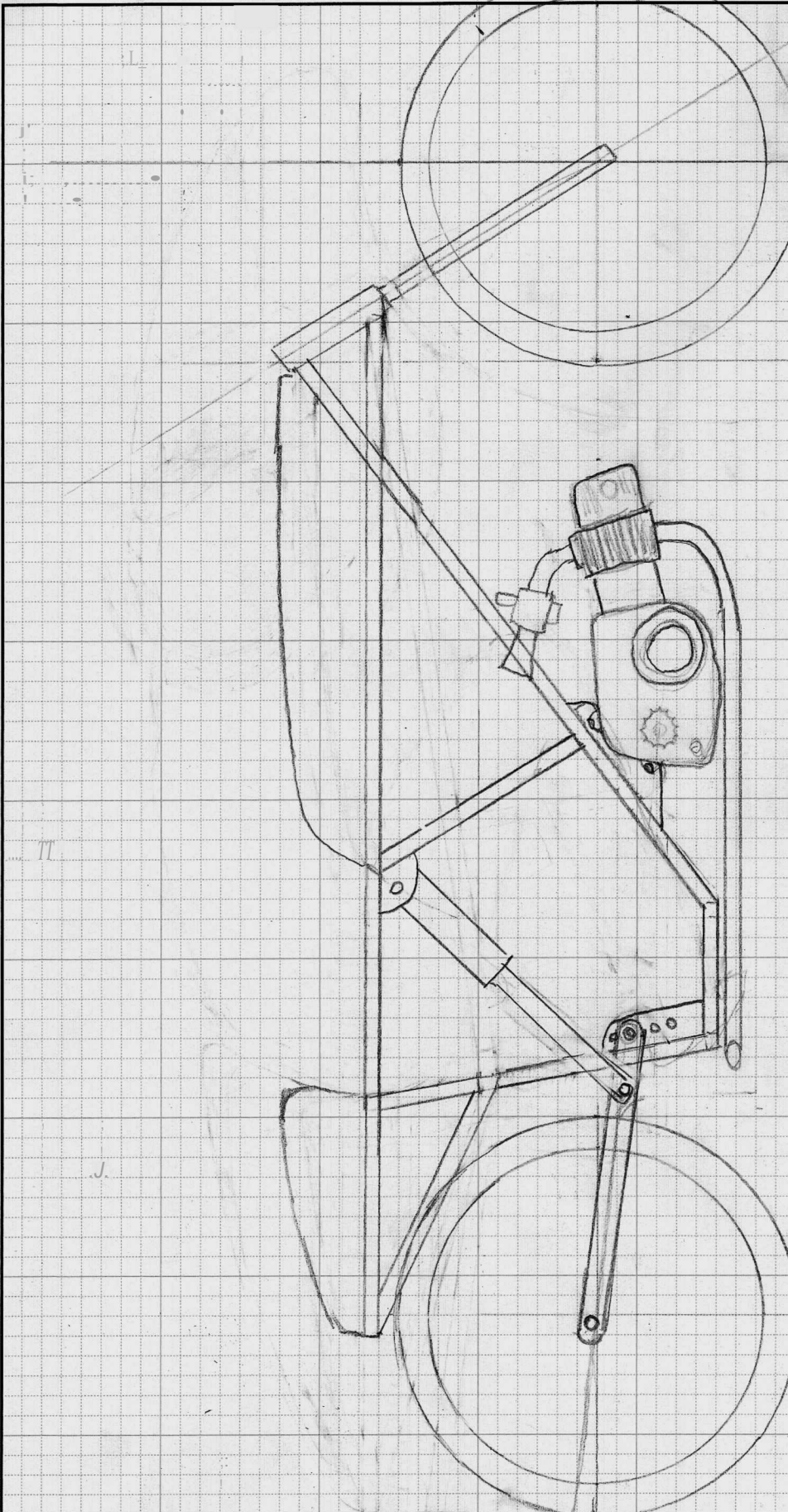
530.865.4277
FAX 530.865.5990
800.709.3000

PROJECT

DRAWN BY
DATE

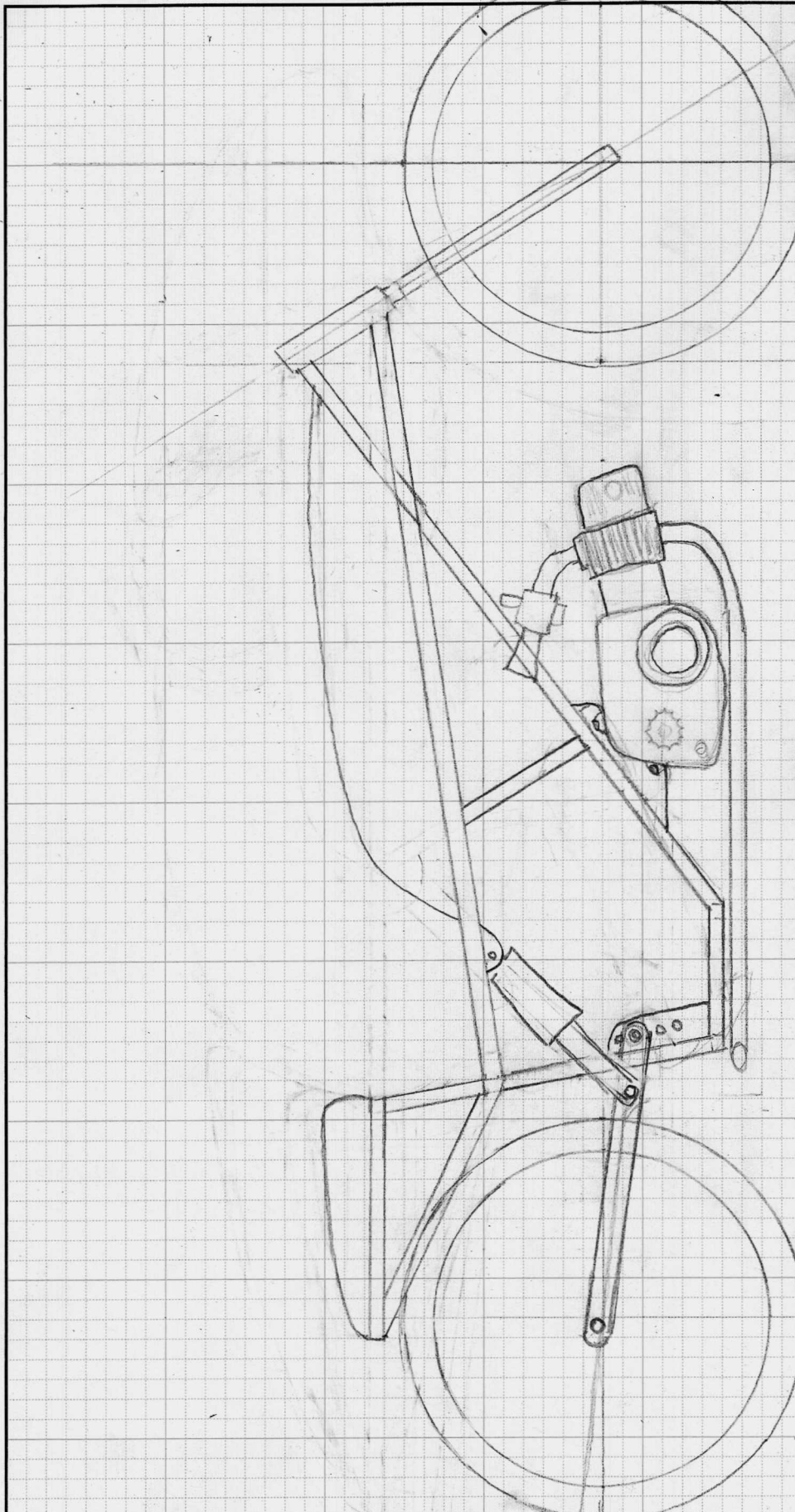
SHEET
OF
SCALE

WORK ORDER #.



8
11
12
12
40
48
48
48
71

WORK ORDER #.



8
91
112
75
07
91
95
110
71

Jrenreell
PRECAST
7210 Highway 32
Orland, CA 95963

530.865.4277
FAX 530.865.5990
800.709.3000

PROJECT

DRAWN BY

SHEET

DATE

OF
SCALE